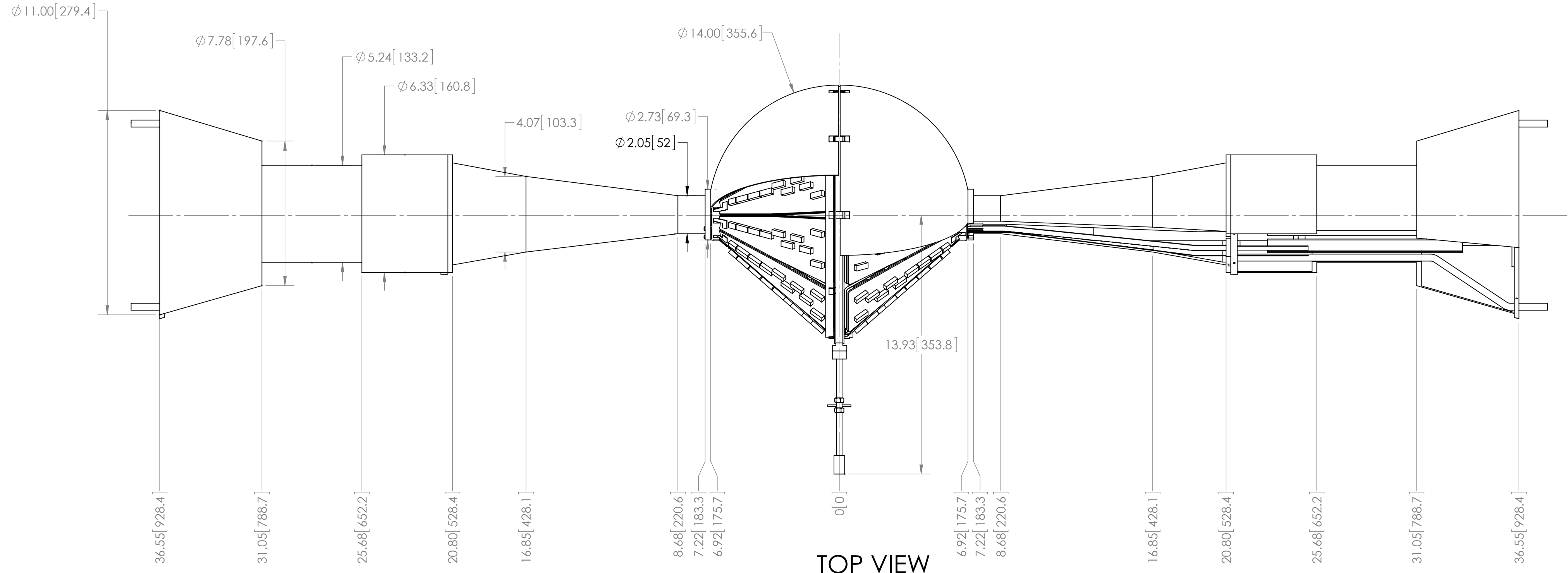


4

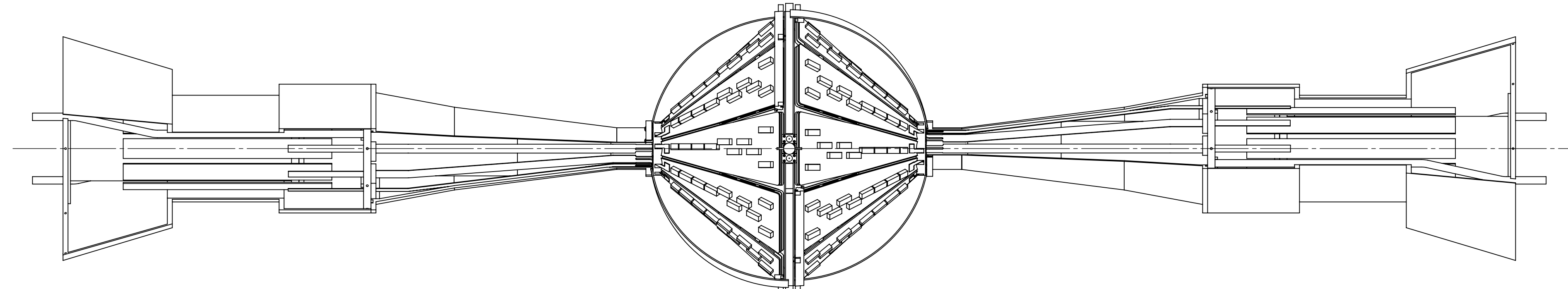
3

2

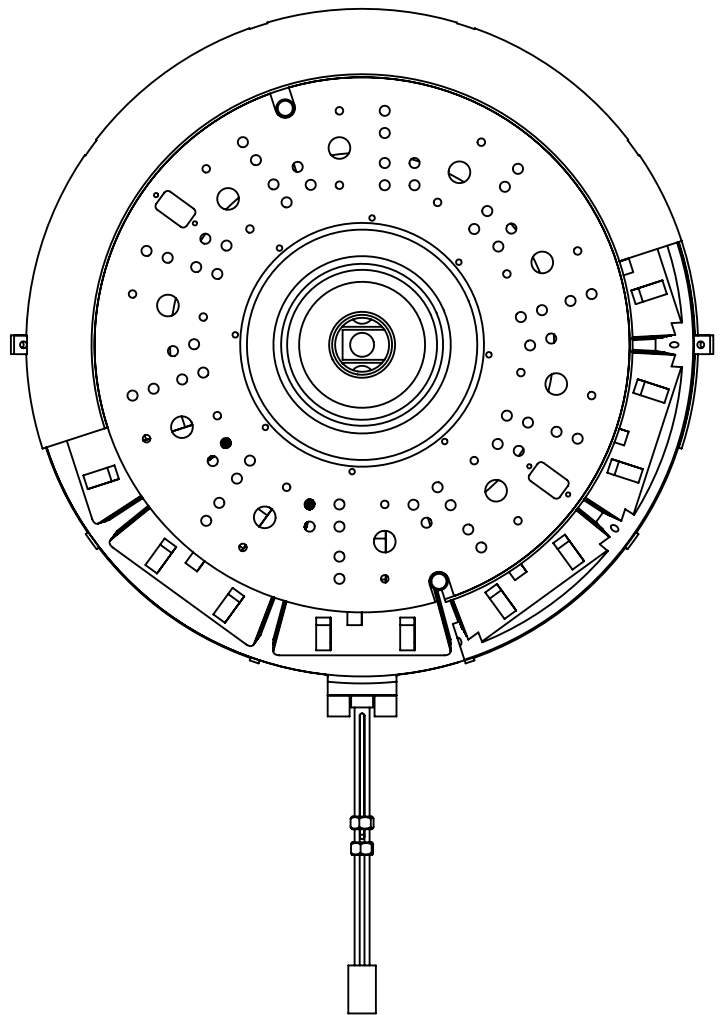
1



TOP VIEW



FRONT VIEW



NOTE: DO NOT SCALE DRAWING!
ALL TOLERANCES UNLESS OTHERWISE SPECIFIED ARE:

DIMENSIONS ARE IN:
X INCHES [mm] □ mm [IN]

x.xx [x.x] ± .010 [.3]
x.xxxx [x.xxx] ± .005 [.13]
x.xxxxx [x.xxxx] ± .0005 [.013]
xx/xx ± 1/32
x° ± 1°

UNIVERSITY OF ROCHESTER DEPT. OF PHYSICS AND ASTRONOMY SIDNEY W. BARNES RESEARCH LABORATORY			
TITLE: -			
THIRD ANGLE PROJECTION	DRAWN: RSF	DATE: 12 OCT 2011	
	CHECKED: RSF	DATE: 12 OCT 2011	
	APPROVED: RSF	DATE: -	

THIS IS THE PROPERTY OF THE UNIVERSITY OF ROCHESTER. ANY USE OR REPRODUCTION WITHOUT AUTHORIZATION BY THIS UNIVERSITY IS PROHIBITED.

SIZE: D	DWG NO:	REV: -
SCALE: 1:4	SHEET: 1 OF 1	FILE: CHICO2

WEIGHT: 34.48 LBS

1

FILE: CHICO2

4

3

2

B

B

A

A